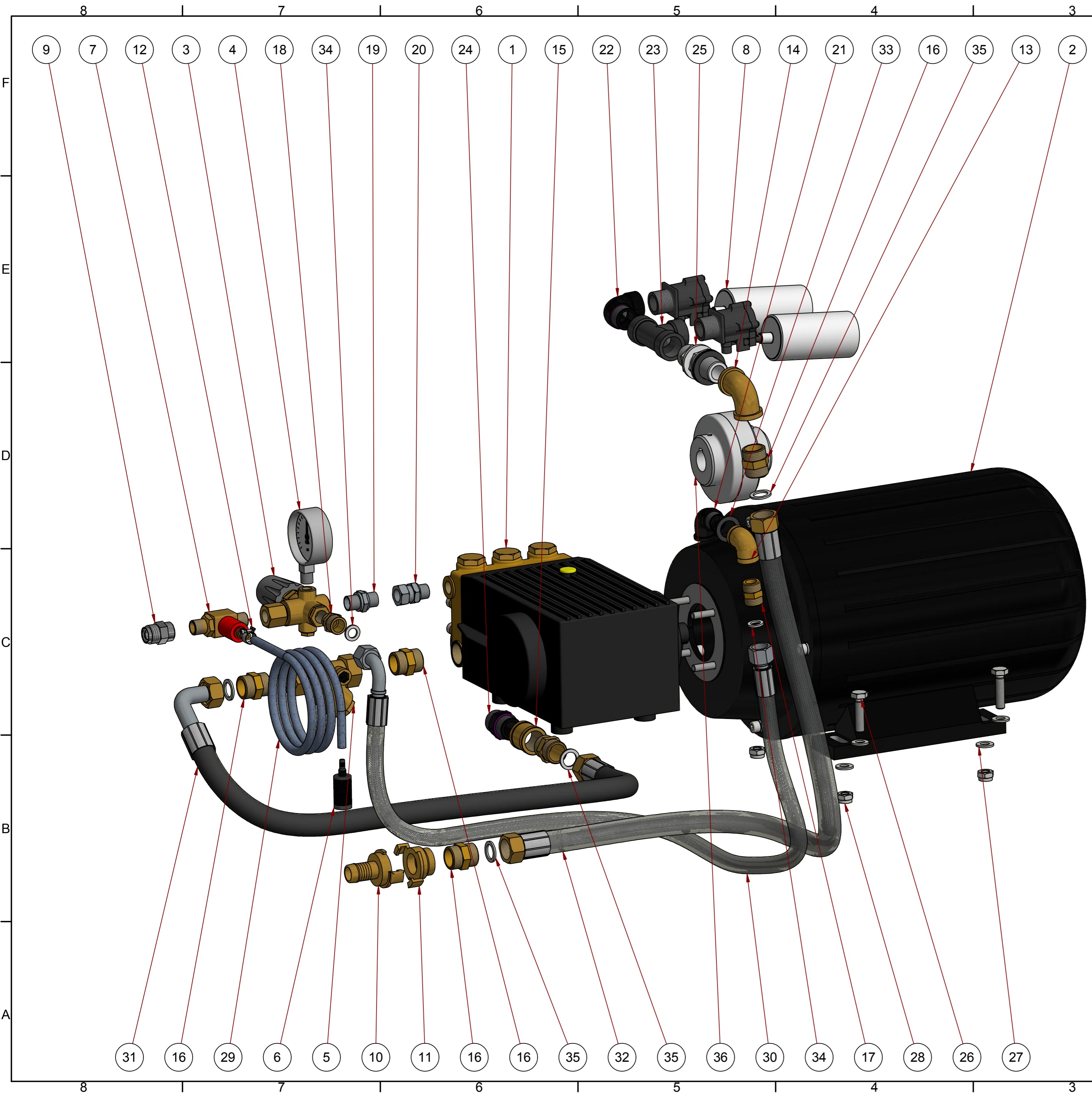


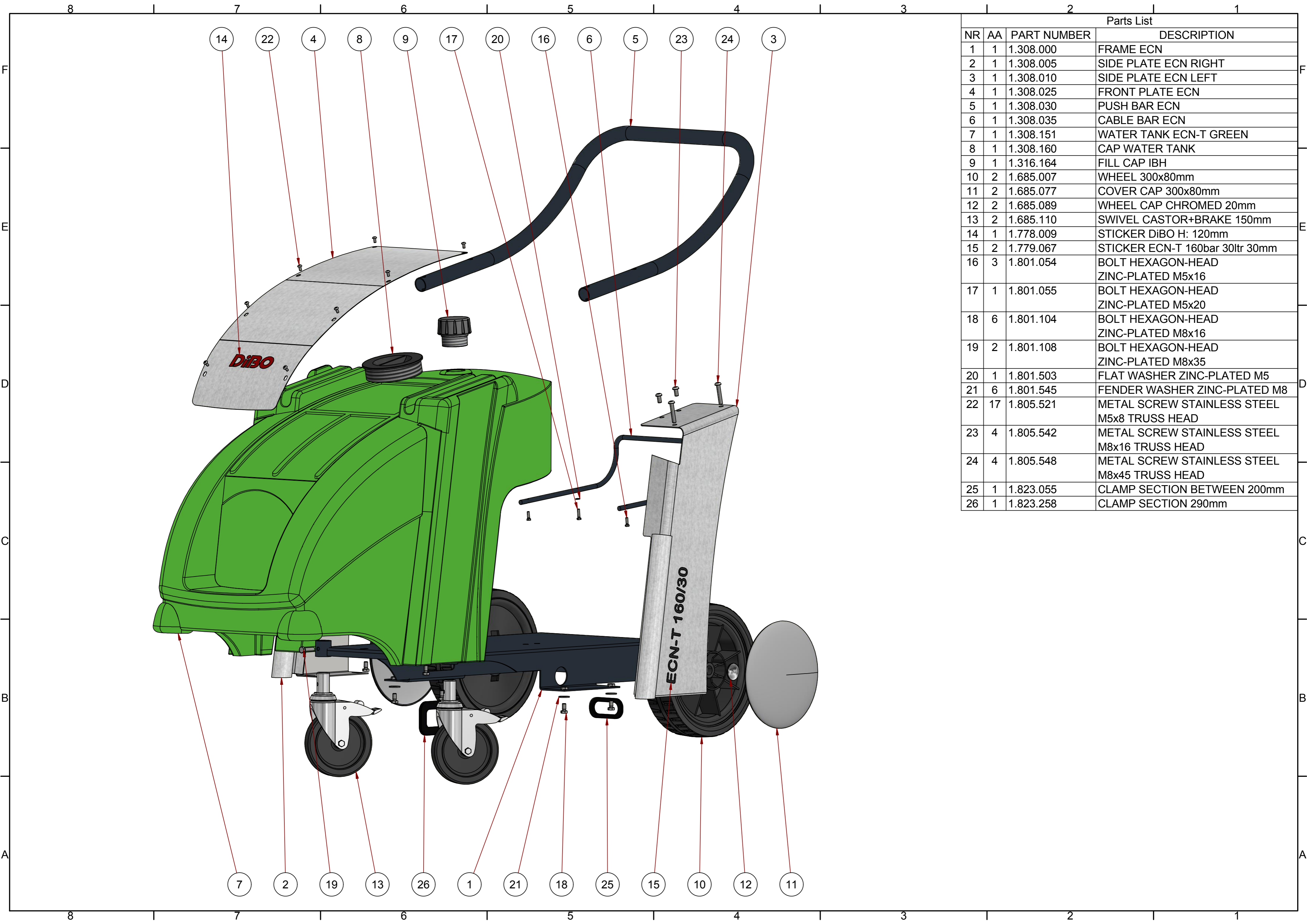


REV: 1 10/02/2015

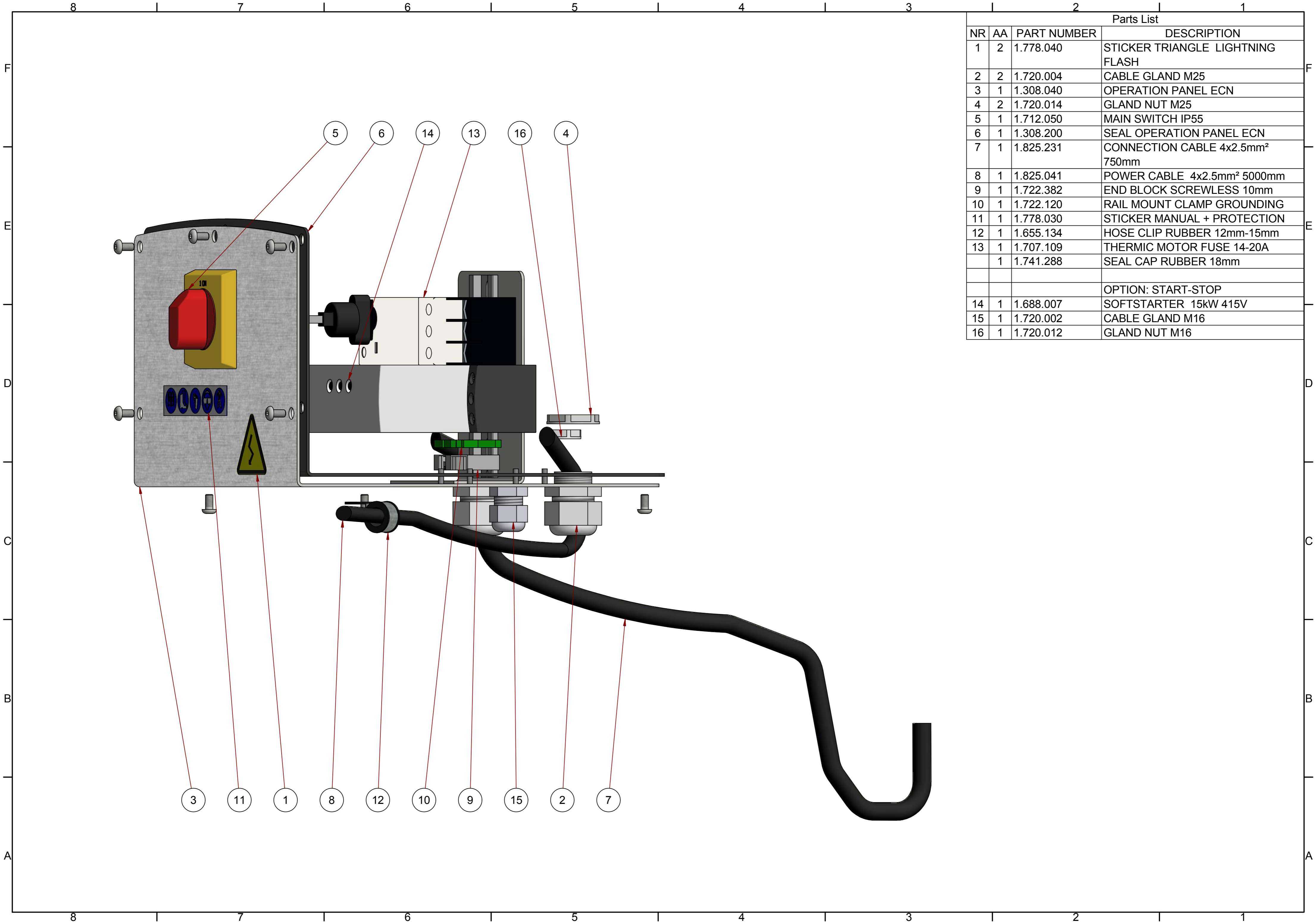
GEZIEN:		MAT.	VERVANGT:			
1.108.230		DATUM	22-12-2008	REV.	NAAM	DATUM
CODENUMMER		NAAM	Lammers M	A		WIJZIGING
		SCHAAL		B		
		NORM		C		
TEK. NR.	PROJEKT NUMMER			D		
ECN-T 160-30		TOL.: NEN-ISO 286-1 IT12				
SUBJECT TO CHANGE		MATEN IN mm		DIBO CLEANING SYSTEMS		



Parts List			
NR	AA	PART NUMBER	DESCRIPTION
1	1	1.601.607	PUMP WS1630 BRASS LEFT
2	1	1.610.292	MOTOR 7.5kW 3x230/400V DOUBLE FLANGED
3	1	1.617.150	PRESSURE REGULATOR VALVE VB9
		1.617.156	PRESSURE REGULATOR VALVE VB9 CONTACT
4	1	1.620.160	MANOMETER 0-400 BAR 1/4" UC
5	1	1.630.004	STRAINER BRASS 3/4" INT-INT
6	1	1.630.351	SUCTION FILTER PVC+NON RETURN VALVE HOSE CONNECTION 6-8mm
7	1	1.634.027	CHEMICAL INJECTOR 3/8" - EXT 3/8" EXT 41ltr
8	2	1.641.061	FLOAT PVC 3/4"
9	1	1.647.064	V-PART MV CHROMED 3/8" INT
10	1	1.647.305	COUPLING GK HOSE CONNECTION 20mm
11	1	1.647.325	COUPLING GK 3/4" INT
12	1	1.655.092	HOSE CLIP SS MINI 10mm
13	1	1.659.003	ELBOW BRASS 1/2" INT-INT
14	1	1.659.004	ELBOW BRASS 3/4" EXT-EXT
15	1	1.659.144	COUPLING BRASS 3/4"
16	5	1.659.164	NIPPLE BRASS 3/4" EXT-EXT
17	1	1.659.179	NIPPLE BRASS 1/2" EXT-EXT
18	1	1.659.345	REDUCER NIPPLE BRASS 1/2" - 3/8" EXT-EXT
19	1	1.663.202	NIPPLE HP 3/8" EXT-EXT BSPP
20	1	1.663.222	NIPPLE HP 3/8" EXT BSPP-3/8" WR
21	1	1.667.400	ELBOW PLASTIC 1/2" EXT-INT
22	1	1.667.401	PLASTIC ELBOW 3/4" INT-EXT
23	1	1.667.411	T-PIECE PLASTIC 3/4"
24	1	1.667.416	NIPPLE PLASTIC 3/4" EXT-EXT
25	1	1.667.461	TANK CONNECTION COUPLING PLASTIC 3/4"
26	4	1.801.134	BOLT HEXAGON-HEAD ZINC-PLATED M10x40
27	8	1.801.506	FLAT WASHER ZINC-PLATED M10
28	4	1.801.626	NYLON INSERT LOCK NUT ZINC-PLATED M10
29	1	1.819.444	HOSE TRANSPARENT 6mm 1200mm
30	1	1.820.033	LP HOSE PLAID AROUND 1/2" 1000mm 1/2"WR - 1/2"WH
31	1	1.820.048	LP HOSE 3/4" 830mm 3/4" WR - 3/4"WH
32	1	1.820.049	LP HOSE PLAID AROUND 3/4" 800mm 3/4"WR - 3/4"WR
33	1	1.838.005	SEAL RUBBER 20mmx29mm
34	2	1.838.418	SEAL 18.4x11.3x2.1mm
35	4	1.838.424	SEAL 24x16.7x.1.95mm
36	1	1.0910.082080014	FLEXIBLE MOTOR/POMP COUPLING 7.5kW DOUBLE FLANGED

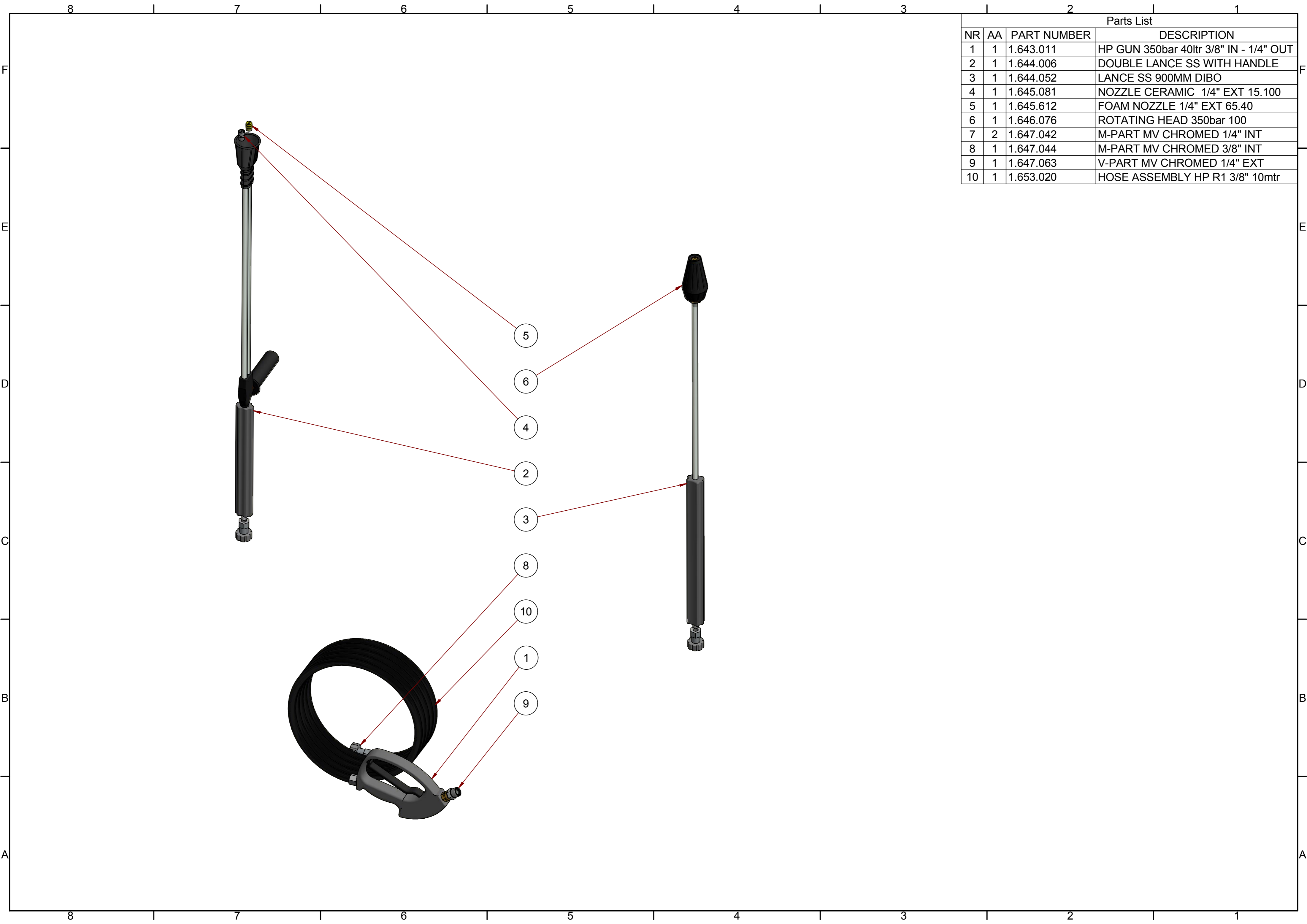
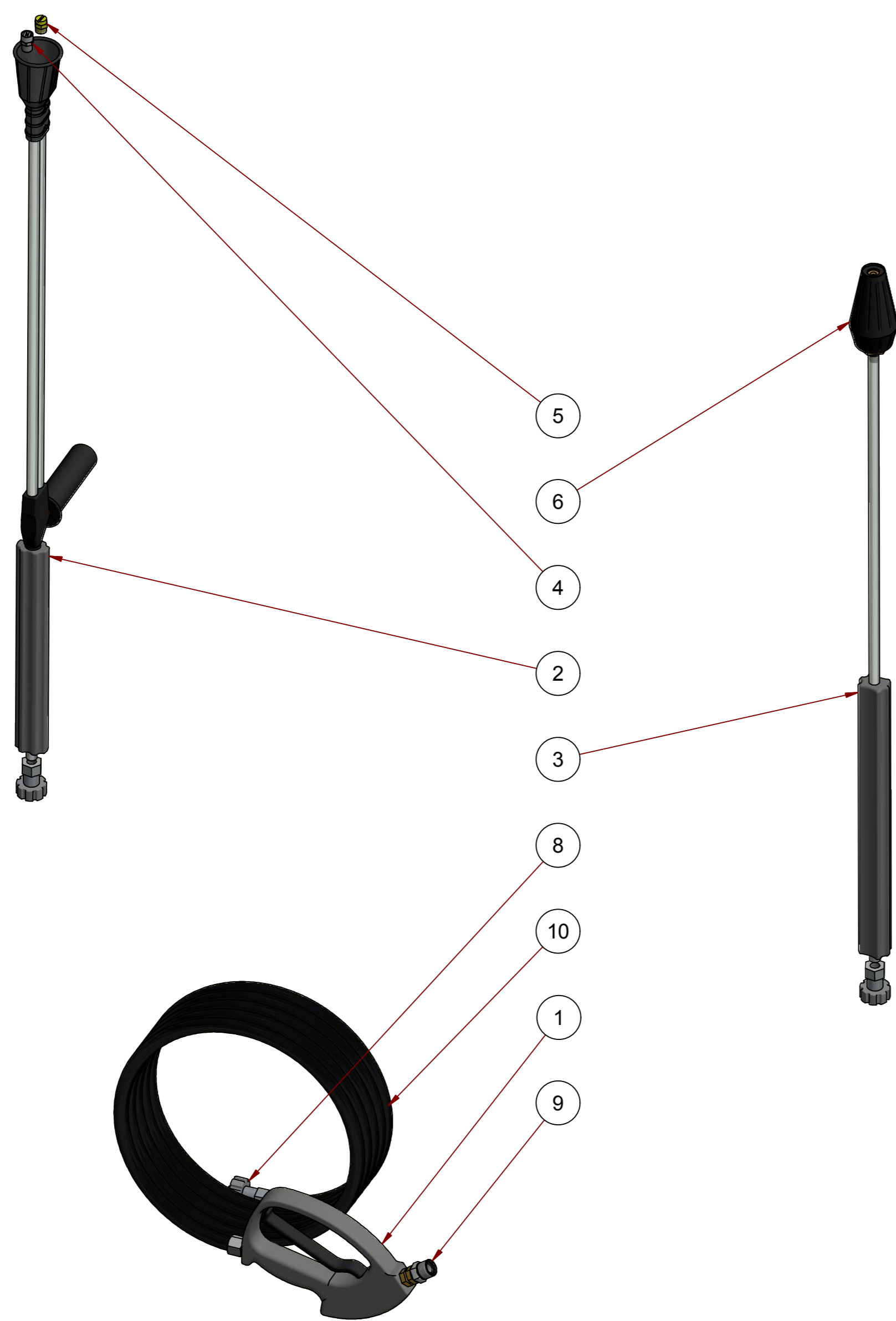


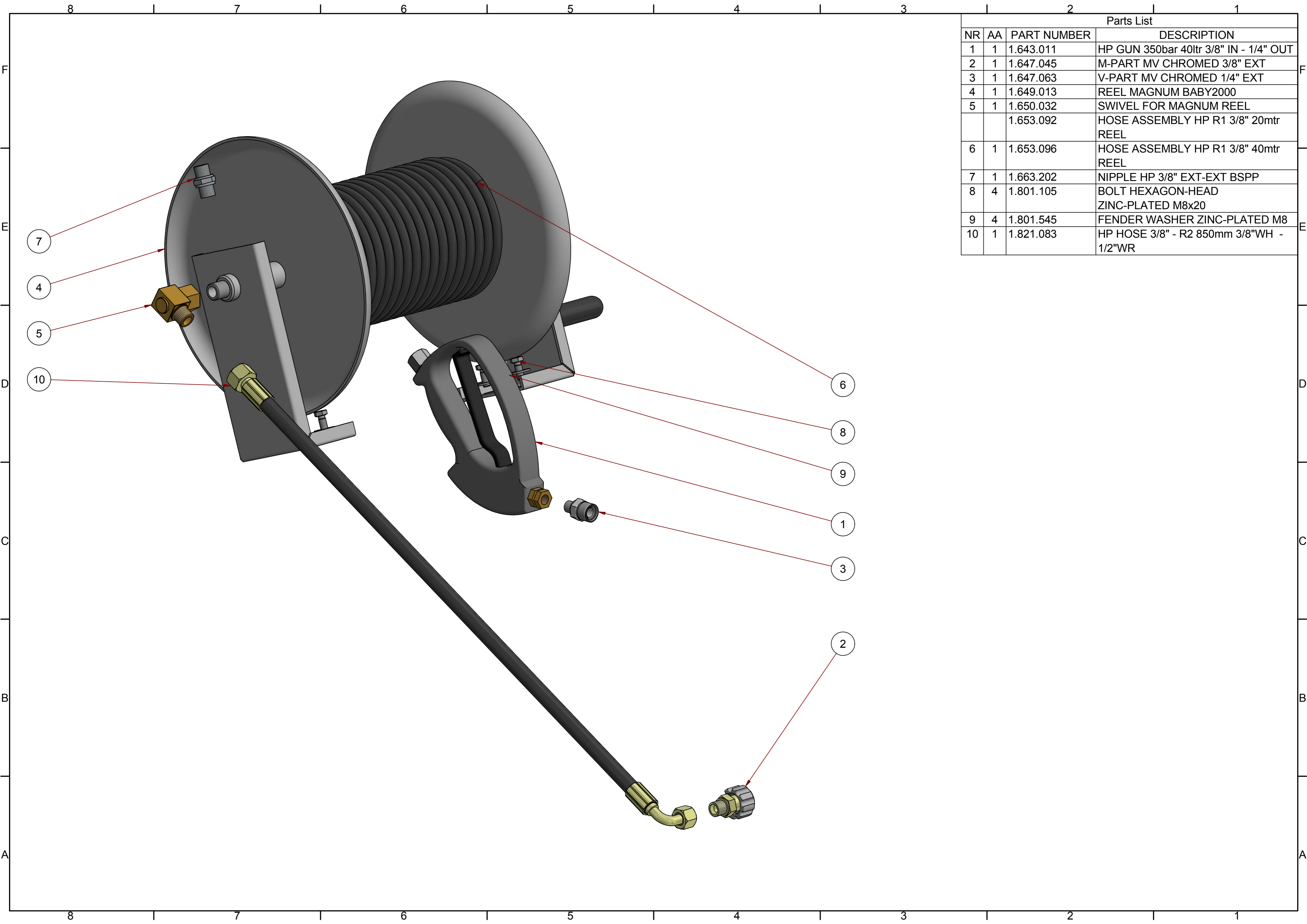
Parts List			
NR	AA	PART NUMBER	DESCRIPTION
1	1	1.308.000	FRAME ECN
2	1	1.308.005	SIDE PLATE ECN RIGHT
3	1	1.308.010	SIDE PLATE ECN LEFT
4	1	1.308.025	FRONT PLATE ECN
5	1	1.308.030	PUSH BAR ECN
6	1	1.308.035	CABLE BAR ECN
7	1	1.308.151	WATER TANK ECN-T GREEN
8	1	1.308.160	CAP WATER TANK
9	1	1.316.164	FILL CAP IBH
10	2	1.685.007	WHEEL 300x80mm
11	2	1.685.077	COVER CAP 300x80mm
12	2	1.685.089	WHEEL CAP CHROMED 20mm
13	2	1.685.110	SWIVEL CASTOR+BRAKE 150mm
14	1	1.778.009	STICKER DiBO H: 120mm
15	2	1.779.067	STICKER ECN-T 160bar 30ltr 30mm
16	3	1.801.054	BOLT HEXAGON-HEAD ZINC-PLATED M5x16
17	1	1.801.055	BOLT HEXAGON-HEAD ZINC-PLATED M5x20
18	6	1.801.104	BOLT HEXAGON-HEAD ZINC-PLATED M8x16
19	2	1.801.108	BOLT HEXAGON-HEAD ZINC-PLATED M8x35
20	1	1.801.503	FLAT WASHER ZINC-PLATED M5
21	6	1.801.545	FENDER WASHER ZINC-PLATED M8
22	17	1.805.521	METAL SCREW STAINLESS STEEL M5x8 TRUSS HEAD
23	4	1.805.542	METAL SCREW STAINLESS STEEL M8x16 TRUSS HEAD
24	4	1.805.548	METAL SCREW STAINLESS STEEL M8x45 TRUSS HEAD
25	1	1.823.055	CLAMP SECTION BETWEEN 200mm
26	1	1.823.258	CLAMP SECTION 290mm



Parts List			
NR	AA	PART NUMBER	DESCRIPTION
1	2	1.778.040	STICKER TRIANGLE LIGHTNING FLASH
2	2	1.720.004	CABLE GLAND M25
3	1	1.308.040	OPERATION PANEL ECN
4	2	1.720.014	GLAND NUT M25
5	1	1.712.050	MAIN SWITCH IP55
6	1	1.308.200	SEAL OPERATION PANEL ECN
7	1	1.825.231	CONNECTION CABLE 4x2.5mm ² 750mm
8	1	1.825.041	POWER CABLE 4x2.5mm ² 5000mm
9	1	1.722.382	END BLOCK SCREWLESS 10mm
10	1	1.722.120	RAIL MOUNT CLAMP GROUNDING
11	1	1.778.030	STICKER MANUAL + PROTECTION
12	1	1.655.134	HOSE CLIP RUBBER 12mm-15mm
13	1	1.707.109	THERMIC MOTOR FUSE 14-20A
	1	1.741.288	SEAL CAP RUBBER 18mm
			OPTION: START-STOP
14	1	1.688.007	SOFTSTARTER 15kW 415V
15	1	1.720.002	CABLE GLAND M16
16	1	1.720.012	GLAND NUT M16

Parts List			
NR	AA	PART NUMBER	DESCRIPTION
1	1	1.643.011	HP GUN 350bar 40ltr 3/8" IN - 1/4" OUT
2	1	1.644.006	DOUBLE LANCE SS WITH HANDLE
3	1	1.644.052	LANCE SS 900MM DIBO
4	1	1.645.081	NOZZLE CERAMIC 1/4" EXT 15.100
5	1	1.645.612	FOAM NOZZLE 1/4" EXT 65.40
6	1	1.646.076	ROTATING HEAD 350bar 100
7	2	1.647.042	M-PART MV CHROMED 1/4" INT
8	1	1.647.044	M-PART MV CHROMED 3/8" INT
9	1	1.647.063	V-PART MV CHROMED 1/4" EXT
10	1	1.653.020	HOSE ASSEMBLY HP R1 3/8" 10mtr





Parts List			
NR	AA	PART NUMBER	DESCRIPTION
1	1	1.643.011	HP GUN 350bar 40ltr 3/8" IN - 1/4" OUT
2	1	1.647.045	M-PART MV CHROMED 3/8" EXT
3	1	1.647.063	V-PART MV CHROMED 1/4" EXT
4	1	1.649.013	REEL MAGNUM BABY2000
5	1	1.650.032	SWIVEL FOR MAGNUM REEL
		1.653.092	HOSE ASSEMBLY HP R1 3/8" 20mtr REEL
6	1	1.653.096	HOSE ASSEMBLY HP R1 3/8" 40mtr REEL
7	1	1.663.202	NIPPLE HP 3/8" EXT-EXT BSPP
8	4	1.801.105	BOLT HEXAGON-HEAD ZINC-PLATED M8x20
9	4	1.801.545	FENDER WASHER ZINC-PLATED M8
10	1	1.821.083	HP HOSE 3/8" - R2 850mm 3/8"WH - 1/2"WR