
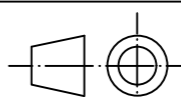

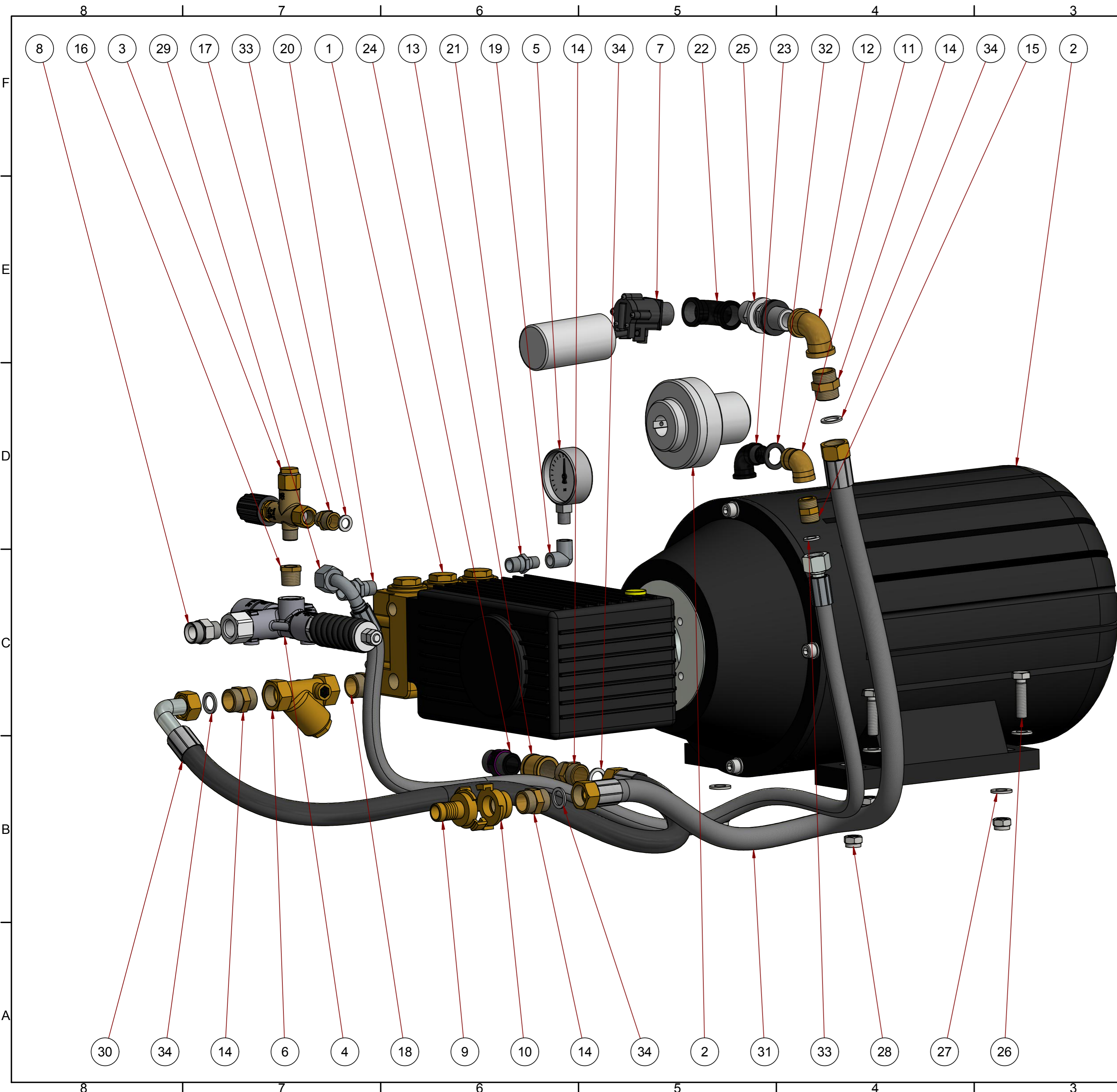
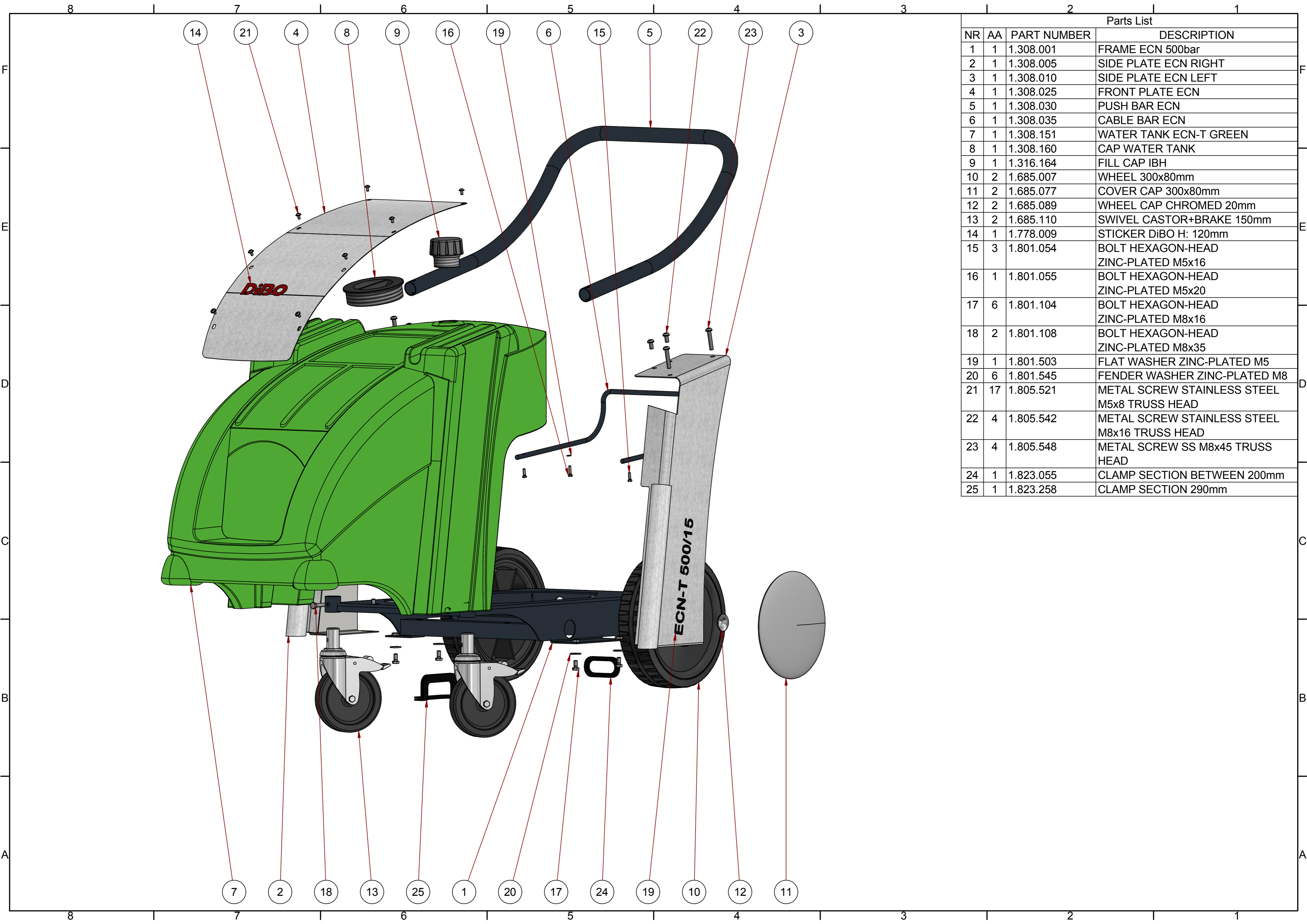


REV: 4 11/02/2015

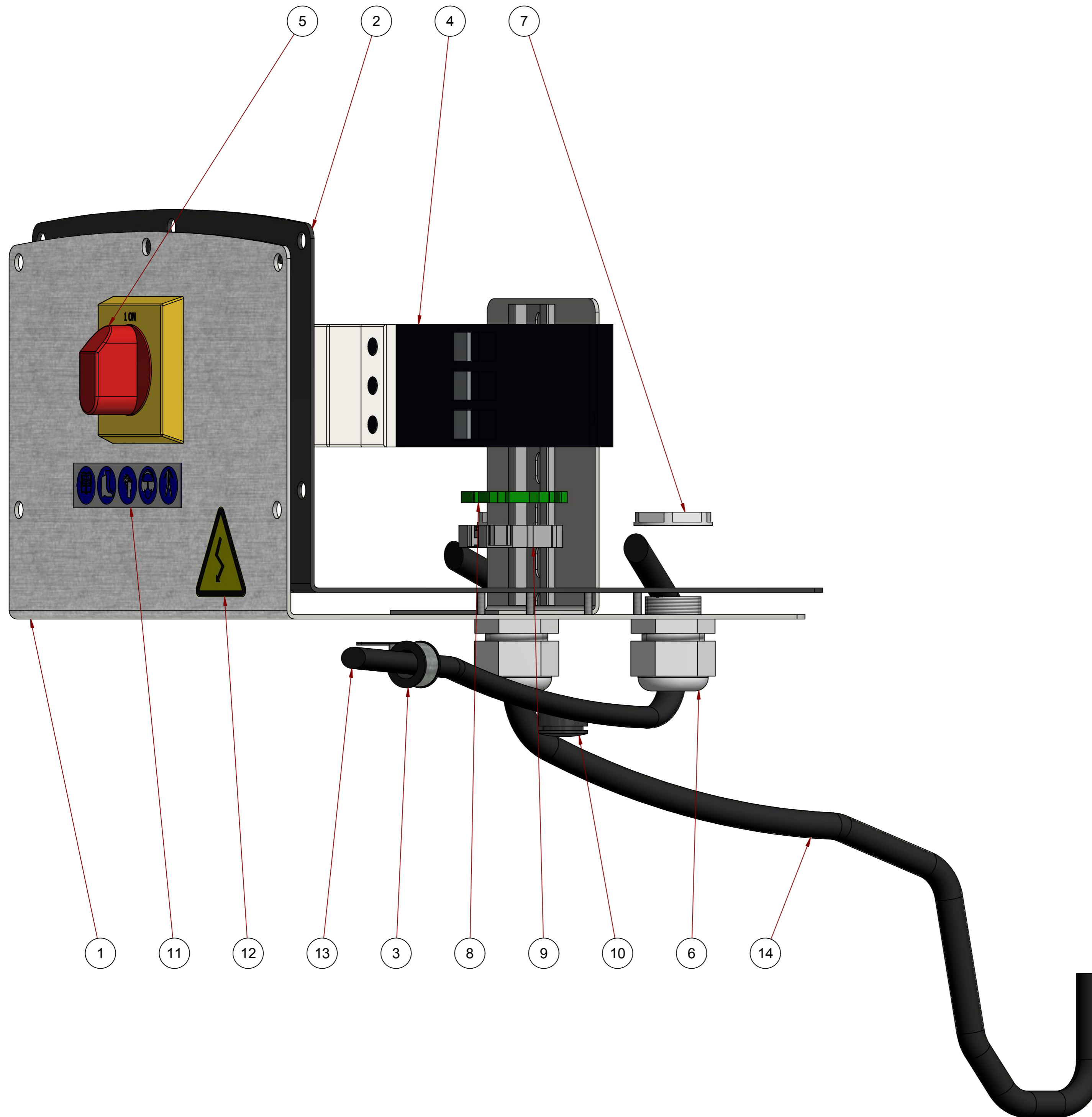
GEZIEN:		MAT.	VERVANGT:				
1.108.825		DATUM	26-05-2009	REV.	NAAM	DATUM	WIJZIGING
CODENUMMER		NAAM	Lammers M	A			
		SCHAAL		B			
		NORM		C			
TEK. NR.	PROJEKT NUMMER			D			
ECN-T 500-15		TOL.: NEN-ISO 286-1 IT12					
							
SUBJECT TO CHANGE		MATEN IN mm					



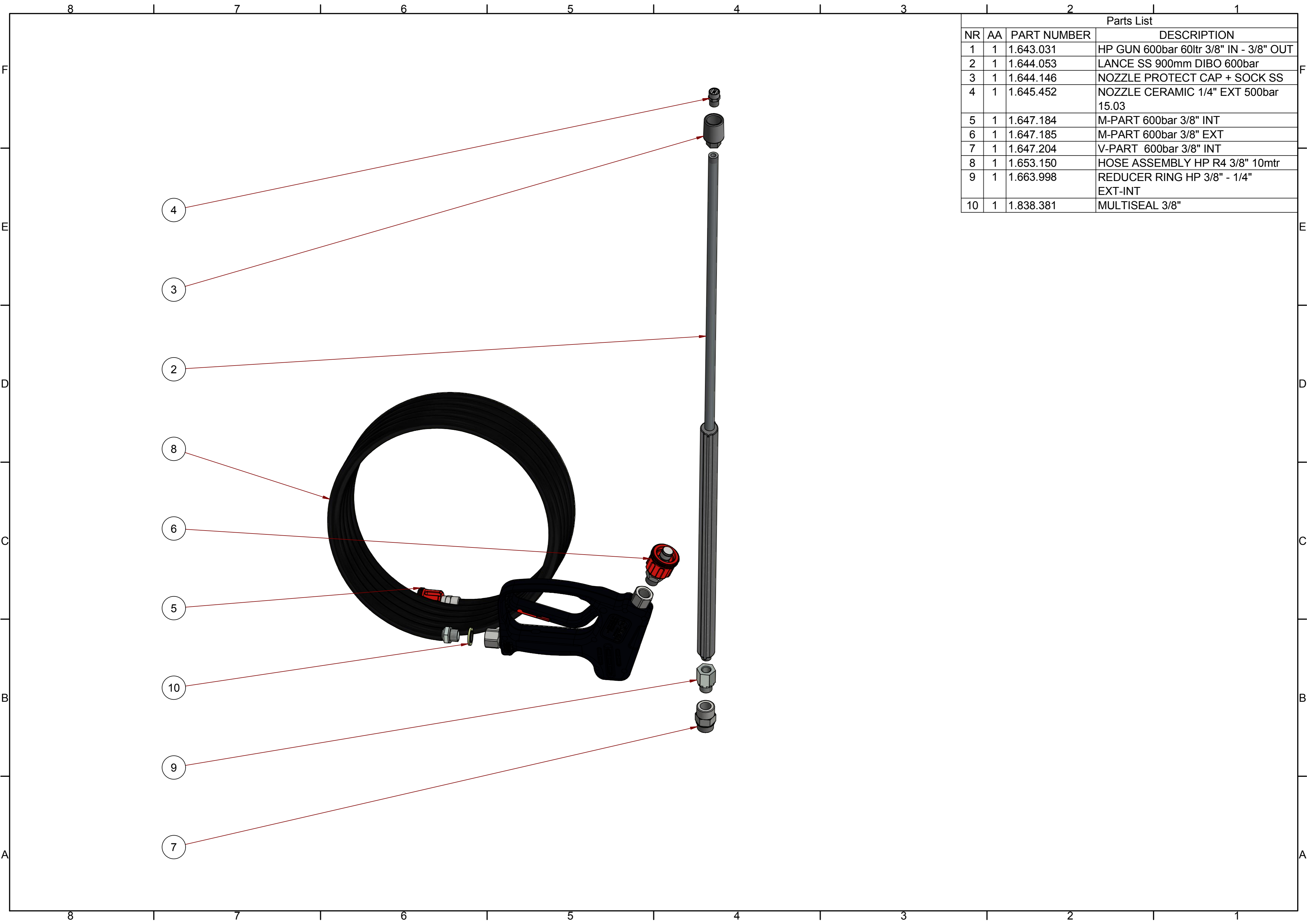
Parts List			
NR	AA	PART NUMBER	DESCRIPTION
1	1	1.601.659	PUMP W5015 BRASS LEFT
2	1	1.610.392	MOTOR 15.0kW 3x400/690V DB
3	1	1.617.129	ADJUSTING VALVE BYPASS STR0130
4	1	1.617.205	PRESSURE REGULATOR VALVE VB60-600 ZERO
5	1	1.620.075	MANOMETER 0-1000 BAR 1/4" UC
6	1	1.630.004	STRAINER BRASS 3/4" INT-INT
7	1	1.641.061	FLOAT PVC 3/4"
8	1	1.647.207	V-PART 600bar 1/2" EXT M24x1.5
9	1	1.647.305	COUPLING GK HOSE CONNECTION 20mm
10	1	1.647.325	COUPLING GK 3/4" INT
11	1	1.659.003	ELBOW BRASS 1/2" INT-INT
12	1	1.659.004	ELBOW BRASS 3/4" EXT-EXT
13	1	1.659.144	COUPLING BRASS 3/4"
14	4	1.659.164	NIPPLE BRASS 3/4" EXT-EXT
15	1	1.659.179	NIPPLE BRASS 1/2" EXT-EXT
16	1	1.659.305	REDUCER RING BRASS 1/2" - 3/8" EXT-INT
17	1	1.659.345	REDUCER NIPPLE BRASS 1/2" - 3/8" EXT-EXT
18	1	1.659.348	REDUCER NIPPLE BRASS 3/4" - 1/2" EXT-EXT
19	1	1.663.001	ELBOW HP 1/4" INT-INT
20	1	1.663.375	REDUCER NIPPLE HP 3/8" EXT BSPP - 1/2" EXT BSPT
21	1	1.663.402	REDUCER NIPPLE HP 1/4" EXT BSPP - 3/8" EXT BSPT
22	1	1.667.391	ELBOW PLASTIC 3/4" INT-INT
23	1	1.667.400	ELBOW PLASTIC 1/2" EXT-INT
24	1	1.667.416	NIPPLE PLASTIC 3/4" EXT-EXT
25	1	1.667.461	TANK CONNECTION COUPLING PLASTIC 3/4"
26	4	1.801.160	BOLT HEXAGON-HEAD ZINC-PLATED M12x45
27	8	1.801.507	FENDER WASHER ZINC-PLATED M10
28	4	1.801.627	NYLON INSERT LOCK NUT ZINC-PLATED M12
29	1	1.820.033	LP HOSE PLAID AROUND 1/2" 1000mm 1/2"WR - 1/2"WH
30	1	1.820.048	LP HOSE 3/4" 830mm 3/4" WR - 3/4"WH
31	1	1.820.049	LP HOSE PLAID AROUND 3/4" 800mm 3/4"WR - 3/4"WR
32	1	1.838.005	SEAL RUBBER 20mmx29mm
33	2	1.838.418	SEAL 18.4x11.3x2.1mm
34	4	1.838.424	SEAL 24x16.7x.1.95mm
35	1	1.0910.082080016	FLEXIBLE MOTOR/POMP COUPLING 15kW DOUBLE FLANGED



Parts List			
NR	AA	PART NUMBER	DESCRIPTION
1	1	1.308.001	FRAME ECN 500bar
2	1	1.308.005	SIDE PLATE ECN RIGHT
3	1	1.308.010	SIDE PLATE ECN LEFT
4	1	1.308.025	FRONT PLATE ECN
5	1	1.308.030	PUSH BAR ECN
6	1	1.308.035	CABLE BAR ECN
7	1	1.308.151	WATER TANK ECN-T GREEN
8	1	1.308.160	CAP WATER TANK
9	1	1.316.164	FILL CAP IBH
10	2	1.685.007	WHEEL 300x80mm
11	2	1.685.077	COVER CAP 300x80mm
12	2	1.685.089	WHEEL CAP CHROMED 20mm
13	2	1.685.110	SWIVEL CASTOR+BRAKE 150mm
14	1	1.778.009	STICKER DiBO H: 120mm
15	3	1.801.054	BOLT HEXAGON-HEAD ZINC-PLATED M5x16
16	1	1.801.055	BOLT HEXAGON-HEAD ZINC-PLATED M5x20
17	6	1.801.104	BOLT HEXAGON-HEAD ZINC-PLATED M8x16
18	2	1.801.108	BOLT HEXAGON-HEAD ZINC-PLATED M8x35
19	1	1.801.503	FLAT WASHER ZINC-PLATED M5
20	6	1.801.545	FENDER WASHER ZINC-PLATED M8
21	17	1.805.521	METAL SCREW STAINLESS STEEL M5x8 TRUSS HEAD
22	4	1.805.542	METAL SCREW STAINLESS STEEL M8x16 TRUSS HEAD
23	4	1.805.548	METAL SCREW SS M8x45 TRUSS HEAD
24	1	1.823.055	CLAMP SECTION BETWEEN 200mm
25	1	1.823.258	CLAMP SECTION 290mm



Parts List			
NR	AA	PART NUMBER	DESCRIPTION
1	1	1.308.040	OPERATION PANEL ECN
2	1	1.308.200	SEAL OPERATION PANEL ECN
3	1	1.655.134	HOSE CLIP RUBBER 12mm-15mm
4	1	1.707.153	THERMIC MOTOR PROTECTION 22-32A
5	1	1.712.050	MAIN SWITCH IP55
6	2	1.720.004	CABLE GLAND M25
7	2	1.720.014	GLAND NUT M25
8	1	1.722.120	RAIL MOUNT CLAMP GROUNDING
9	1	1.722.382	END BLOCK SCREWLESS 10mm
10	1	1.741.288	SEAL CAP RUBBER 18mm
11	1	1.778.030	STICKER MANUAL + PROTECTION
12	1	1.778.040	STICKER TRIANGLE LIGHTNING FLASH
13	1	1.825.061	POWER CABLE 4x6mm ² 5000mm
14	1	1.825.261	CONNECTION CABLE 4x6mm ² 750mm



Parts List			
NR	AA	PART NUMBER	DESCRIPTION
1	1	1.643.031	HP GUN 600bar 60ltr 3/8" IN - 3/8" OUT
2	1	1.644.053	LANCE SS 900mm DIBO 600bar
3	1	1.644.146	NOZZLE PROTECT CAP + SOCK SS
4	1	1.645.452	NOZZLE CERAMIC 1/4" EXT 500bar 15.03
5	1	1.647.184	M-PART 600bar 3/8" INT
6	1	1.647.185	M-PART 600bar 3/8" EXT
7	1	1.647.204	V-PART 600bar 3/8" INT
8	1	1.653.150	HOSE ASSEMBLY HP R4 3/8" 10mtr
9	1	1.663.998	REDUCER RING HP 3/8" - 1/4" EXT-INT
10	1	1.838.381	MULTISEAL 3/8"